

505-244-3935  
Fax 505-244-3943

Toll Free 888-684-9346  
[www.exelfoam.com](http://www.exelfoam.com)



2219 Isleta Blvd. SW  
Albuquerque, NM 87105

PO Box 12245  
Albuquerque, NM 87195

*"Where EX-Elence is Essential"*

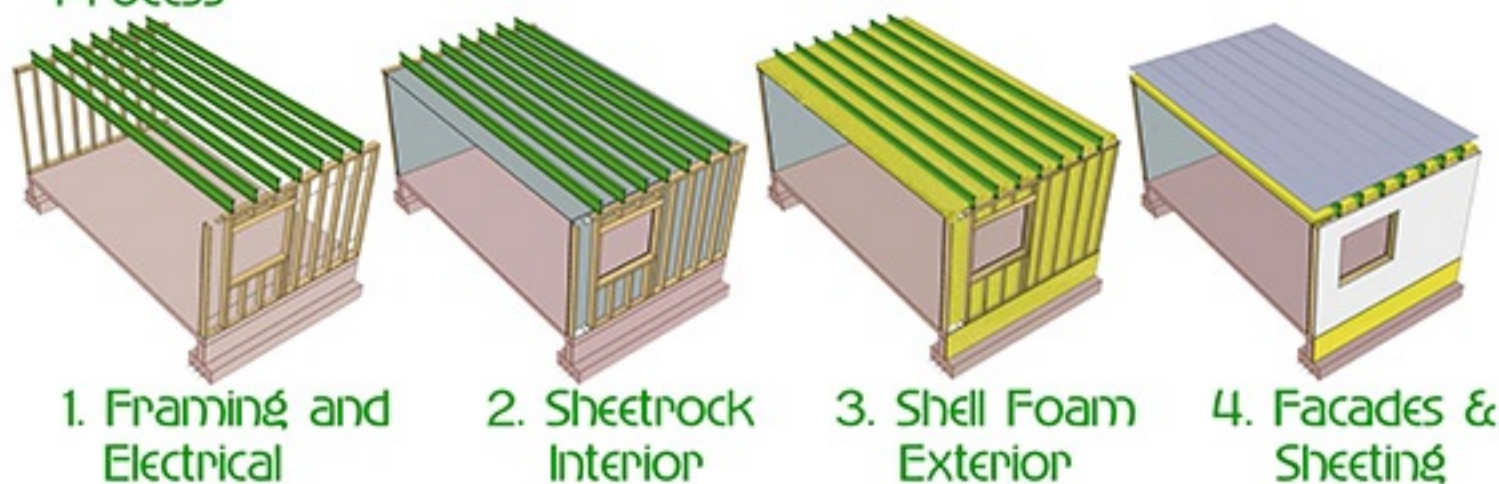
## Shell System Advantages

- SUPERIOR INSULATION/ENVELOP SYSTEM INSTALLED IN ONE STEP
- CONTINUOUS, SEAMLESS INSULATION, ELIMINATES ALL THERMAL BRIDGES
- INCREASED STRENGTH & INTEGRITY THROUGHOUT THE ENTIRE BUILDING STRUCTURE
- HIGH WIND RESISTANCE THAT MAY EXCEED EXISTING ASSEMBLIES
- POTENTIALLY SELF-SUSTAINING USING SOLAR ENERGY SYSTEMS
- ZERO AIR INFILTRATION
- POTENTIAL BARRIER AGAINST BIO & RADIATION HAZARDS
- INTERIOR WALLBOARD PROTECTED FROM FUTURE WATER DAMAGE RESULTING FROM LEAKS AND MINOR FLOODING
- EXTERIOR SHEATHING AND/OR CLADDING NOT NEEDED AS A STRUCTURAL COMPONENT
- EXTERIOR WALL CAN ACCEPT ANY OPTIONAL COVERING INCLUDING SOLAR PANELS, DECORATIVE WOOD OR METAL FINISHES OR PRE-MANUFACTURED PANELS OF ANY TYPE
- INTERIOR/ENCLOSED SPRAYING NOT REQUIRED AND APPLICATOR SAFETY ISSUES REDUCED
- SYSTEM EASILY REPAIRED OR MODIFIED....INTERIOR DRYWALL CAN BE STRIPPED AND REPLACED USING SLOW RISE FOAM ADHESIVES

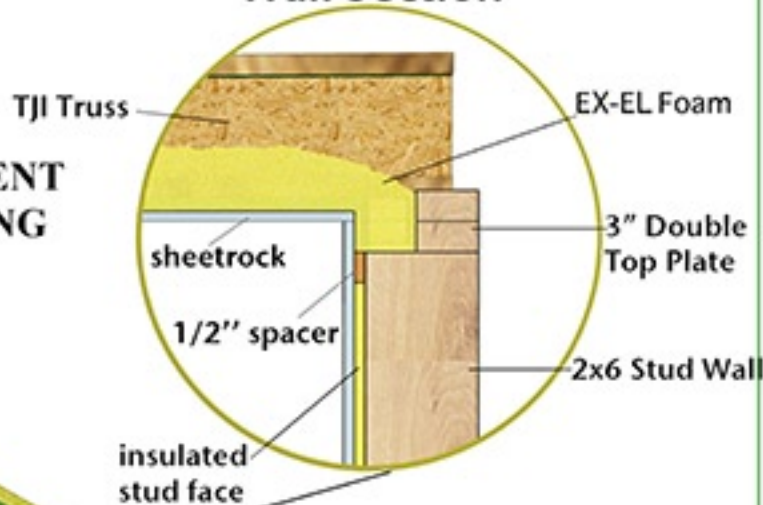
*"Promoting Energy Savings and Environmentally Friendly Structures"*  
Lic.# 60677

# THE EX-EL SHELL BUILDING SYSTEM

Process:

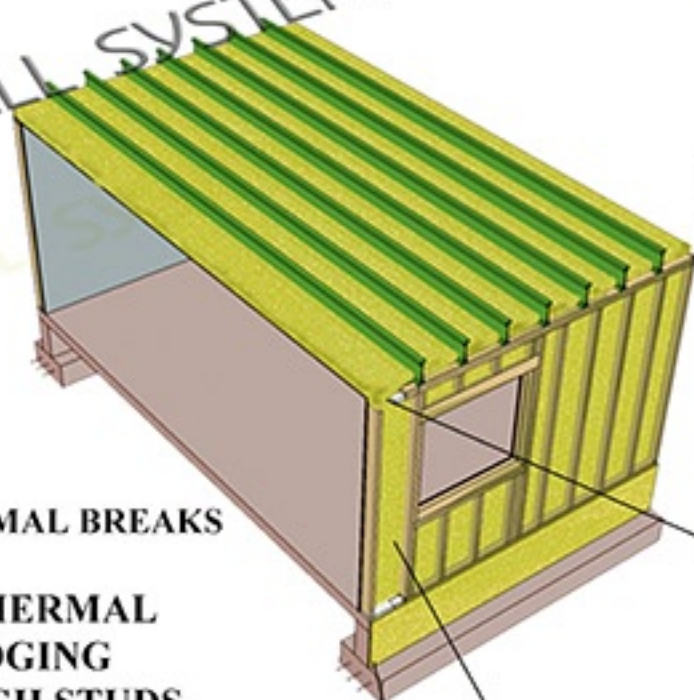


Wall Section

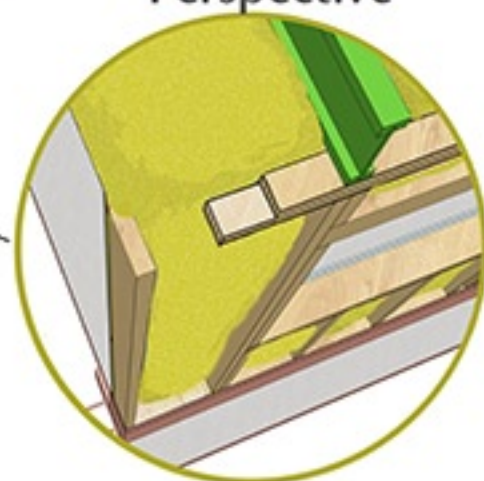


**\*STANDOFFS PREVENT THERMAL BRIDGING**

SHELL SYSTEM



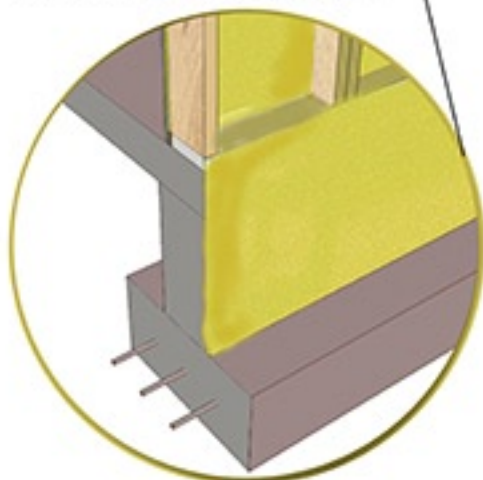
Perspective



**\*NO THERMAL BREAKS**

**\*NO THERMAL BRIDGING THROUGH STUDS**

Footer Insulation



Plumbing

